

# DC88X

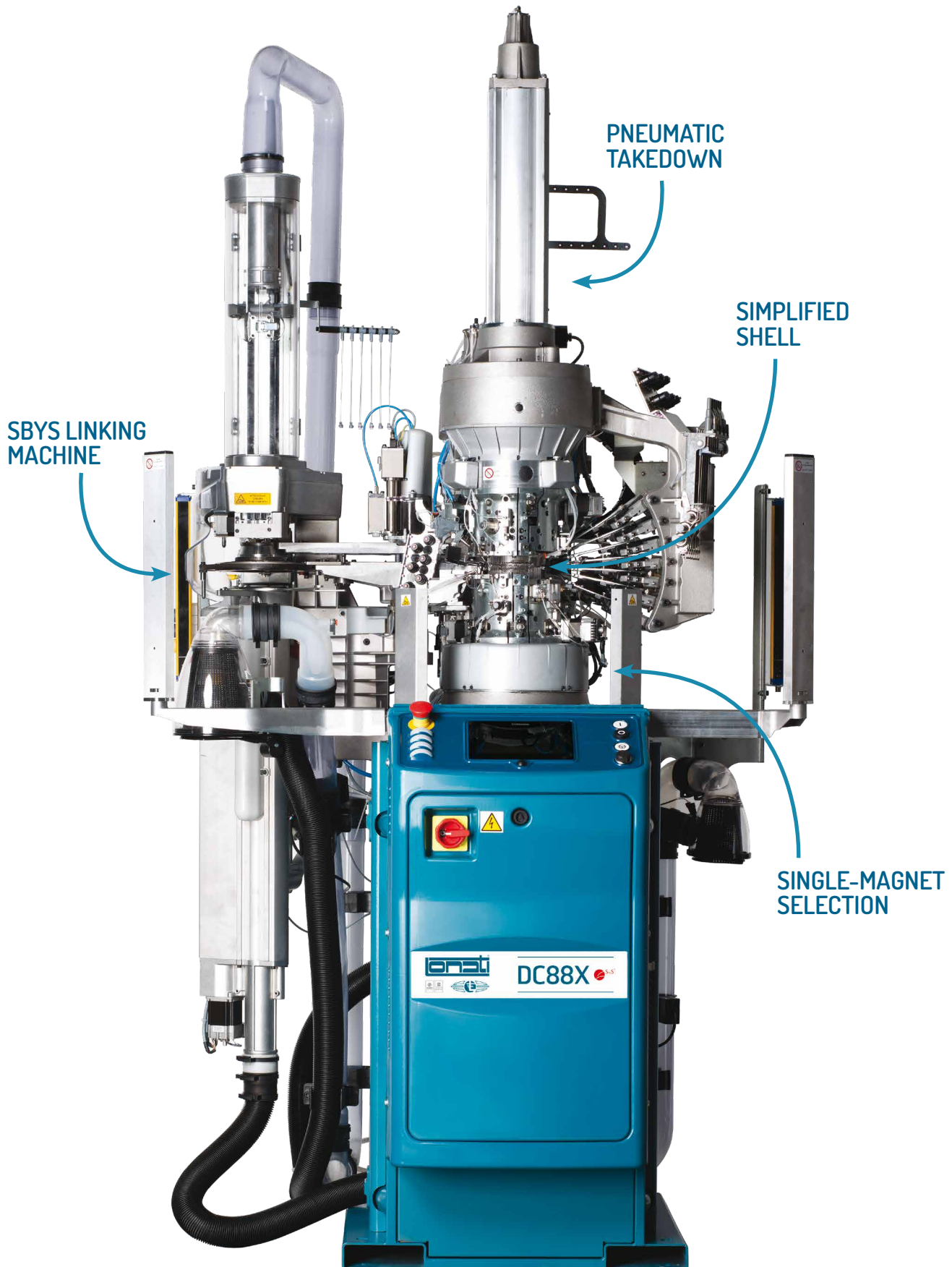
## DOUBLE CYLINDER

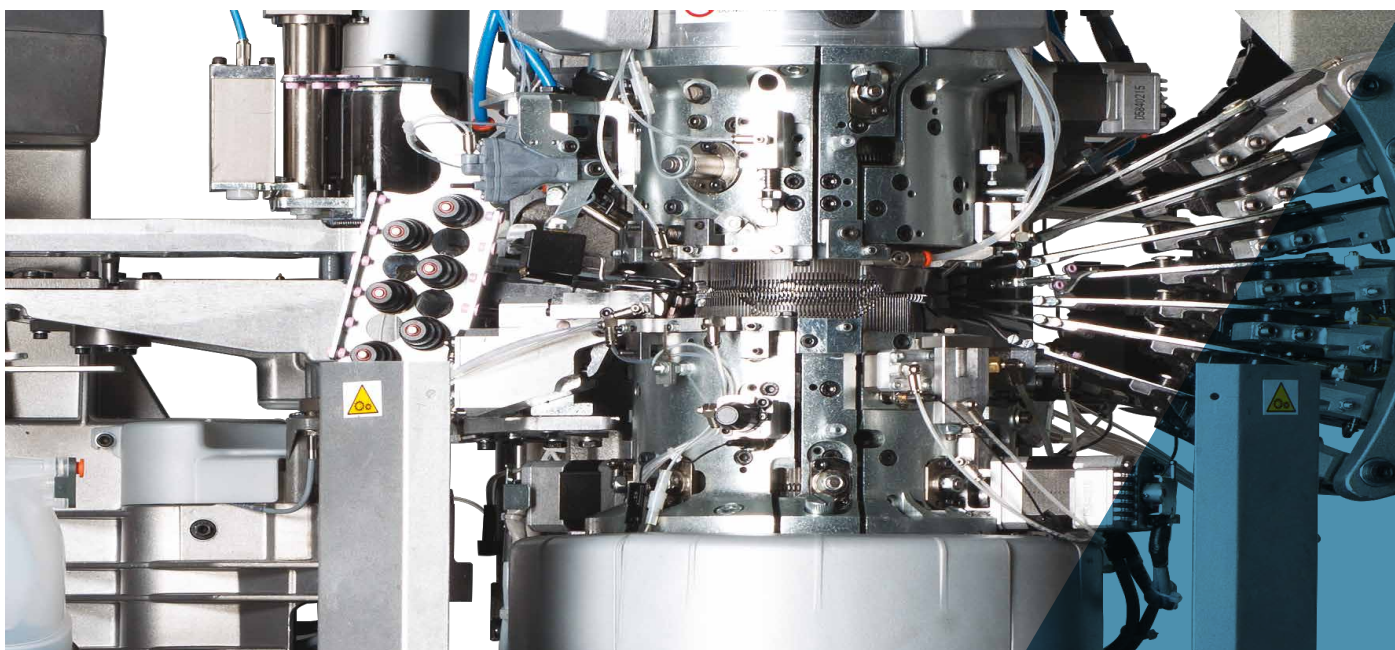
E133HX - E143HX - E153HX



# DOUBLE CYLINDER

E133HX - E143HX - E153HX





All images in this brochure are indicative and not binding.

## DOUBLE CYLINDER

### E133HX - E143HX - E153HX

Double cylinder 2 feeds machine for the production of men's, women's and children's socks in ribs, plain knit, links and links jacquard. Tuck knitting option on first feed of lower cylinder. Brushless motor incorporated in the column with variable heel and toe reciprocating motion. 2 selection points instead of pickers and needle droppers. Electronic size control by automatic adjustment of the stitch. Available in 3" 1/2, 3" 3/4 and 4" diameters and gauge from 7 to 22. SbyS linking machine with different needle thickness according to machine gauge.

- Needle-needle single-magnet selection instead of pickers and needle droppers and links drums for different rib and links patterns.
- Simplified shell/skirt with less mobile cams used only in the closed toe procedure
- Takedown with electronic control and size self adjustment
- Stitch cams with independent stepper motors
- Easier sinkers maintenance thanks to the rotating knitting head
- Toe linking performed by SbyS linking machine

#### MACHINE DIMENSIONS



Length 116 cm + yarn creel 6 cm  
Depth 104 cm + yarn creel 69 cm  
Height 226 cm + yarn creel 34 cm

#### MACHINE WEIGHT



Machine ca. 460 Kg  
Yarn creel ca. 30 Kg

#### NOTE:

All data relating to outer appearance, performance, dimensions and weight are just as an indication.

# DOUBLE CYLINDER

E133HX - E143HX - E153HX

## TECHNICAL DATA

MODEL	CYLINDER DIAMETER	GAUGE	NEEDLE THICKNESS
E133HX	3"1/2	from 9 to 22	0,5 - 0,6 - 0,7 mm
E143HX	3"3/4	from 9 to 22	0,5 - 0,6 - 0,7 mm
E153HX	4"	from 7 to 22	0,5 - 0,6 - 0,7 - 0,9 mm

Above data are indicative and not binding.

## STANDARD DEVICES

- ➔ Needle-needle single-magnet electronic selection system;
- ➔ Sock downtake with downwards movement control;
- ➔ Automatic turning device;
- ➔ Multi-stiffening by means of stepper motor;
- ➔ High heel by means of single-magnetic selection;
- ➔ Sinker cap with internal lubrication;
- ➔ 6 pneumatic yarnfingers;
- ➔ 4-rod take-up device;
- ➔ Suction valve controlled with stepper motor;
- ➔ Tail knitting at the start of the sock;

## OPTIONAL DEVICES

- Fan
- Picot welt
- Size electronic control
- Split device
- Pneumatic yarnfinger number 7
- First yarnfinger positioning at feeds 5,6 and 7
- Second yarnfinger positioning at feeds 2,3 and 4
- Lycra plating
- Bare Lycra
- 6-rod take-up device
- Yarn brake discs opener 1 and 2
- Prearrangement for YoYo feeder
- Prearrangement for LGL feeder
- Spyder sensors
- Cassefiles mechanical sensors
- Knots electric sensors
- Ethernet board
- Patterned shadow stripe knit
- Open-work

## SUITABLE YARNS

The machine is designed to be used with the following yarns:

- Natural fibers
- Synthetic yarn
- Elastic yarn

## POSSIBLE KNITTING

The standard machine can perform the following knittings

- Plain knit
- Rib
- Links
- Links Jacquard
- Tuck stitch on first feed on lower cylinder

# DOUBLE CYLINDER

## E133HX - E143HX - E153HX

### NUMBER OF COLORS

Number of colors	In jacquard 2 colors on the same course Up to 6 colors on first feed Up to 3 colors on second feed
------------------	--

### PERFORMANCES

		4" CYLINDER DIAMETER
GAUGE		14 (needle thickness 0,7 mm)
KNITTING FEATURES		LINKS = 320 Rpm
		rib and plain mesh = 360 Rpm
		reciprocated motion = 340 Rpm
		tuck stitch = 260 Rpm
		Float stitch reciprocated motion 260 rpm
		Jacquard = 260 Rpm

Above data are indicative and not binding.

### GAUGE

		GAUGE															
Model	ø	6	7	8	9	10	11	12	13	14	15	16	17	18	20	22	
133HX	3 1/2"				96	108	116	128	140	152	160	172	184	196	216	240	
					100	112	120	132	144	156	164	176	188	200	220	224	
					104		124	136	148			168	180	192			
		Needle thickness 0.7															
Needle thickness 0.6																	
Needle thickness 0.5																	

		GAUGE															
Model	ø	6	7	8	9	10	11	12	13	14	15	16	17	18	20	22	
143HX	3 3/4"				104	112	124	136	148	160	172	184	196	208	232		
					108	116	128	140	152	164	176	188	200	212	236		
						120	132	144	156	168	180	192	204	216	240		
		Needle thickness 0.7															
Needle thickness 0.6																	
Needle thickness 0.5																	

		GAUGE															
Model	ø	6	7	8	9	10	11	12	13	14	15	16	17	18	20	22	
153HX	4"	76	84	96	108	120	132	148	160	172	184	196	208	220	248		
		80	88	100	112	124	136	152	164	176	188	200	212	224	252		
			92	104	116	128	140	156	168	180	192	204	216	228	256		
		Needle thickness 0.9															
Needle thickness 0.7																	
Needle thickness 0.6																	
Needle thickness 0.5																	

Above data are indicative and not binding.

#### DISCLAIMER:

For gauges lower or higher than those in the chart, their maximum speed must be reduced by 10-15%.  
Should you use staple fiber, maximum speed has to be detected each time according to the yarn and the item to be produced. For jacquard and Links jacquard, maximum speed has to be detected each time according to the pattern.

# DOUBLE CYLINDER

E133HX - E143HX - E153HX

## NOISE LEVEL

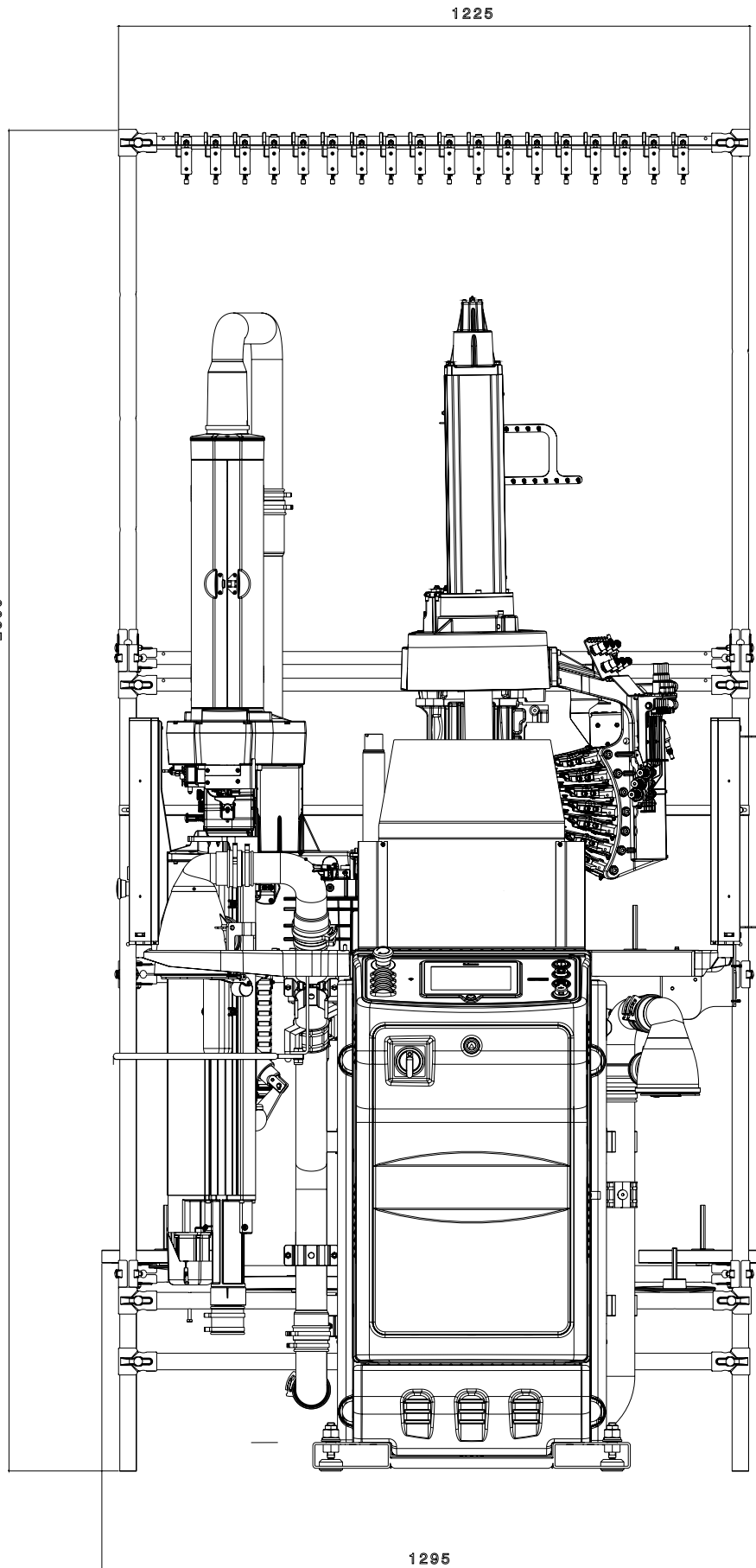
Machine average noise level, suction included LpA=81.9 dB LwA=99 db

## LUBRICANTS

Average consumption for 100 dozens= 330 gr. Lonati recommends: Kluber Madol 183 Supreme - Fuchs Renolin Trax 16 C

## GREASE

For seals, bearing etc Lonati recommends: Damping grease Nyogel 774F



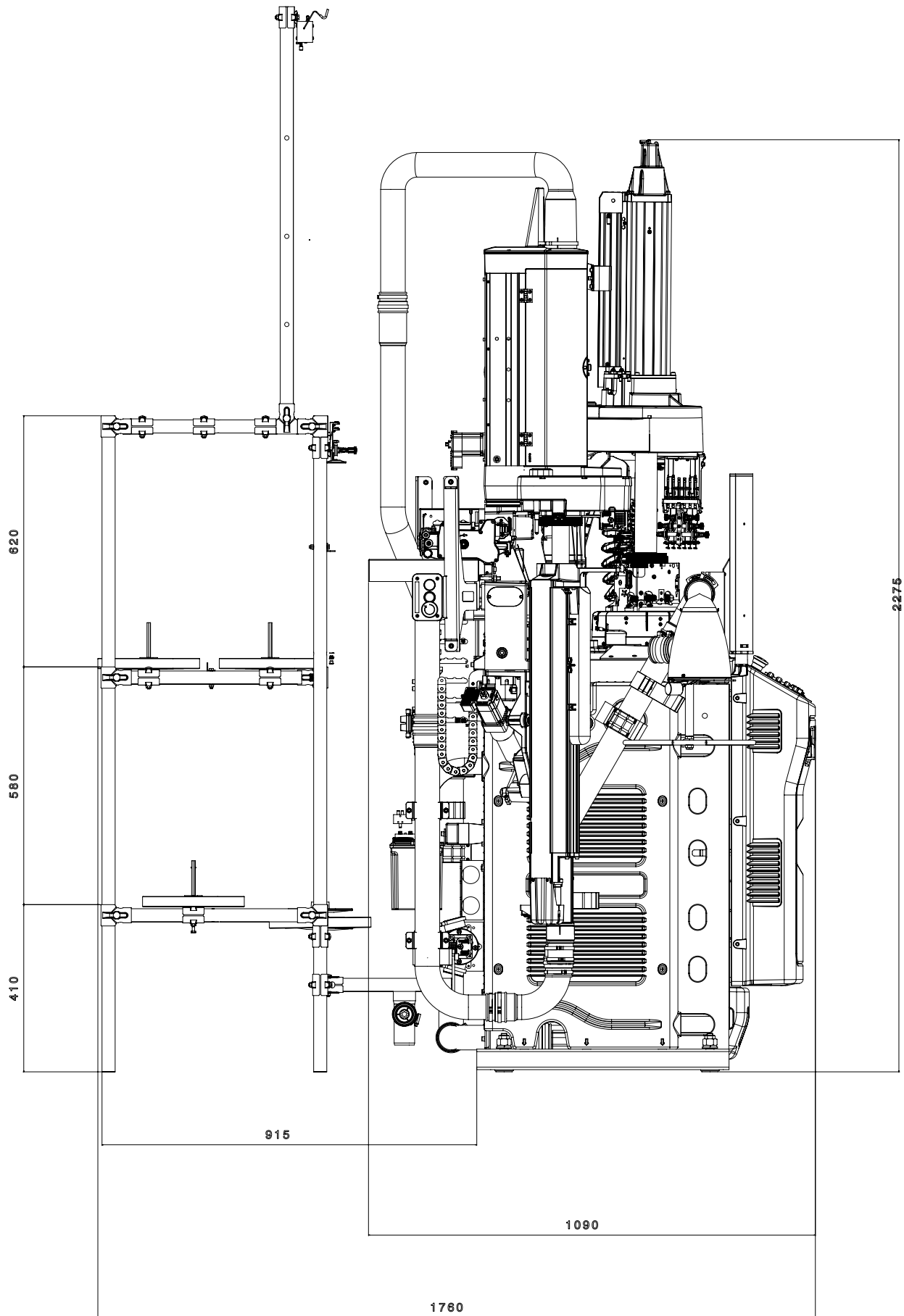
**FRONT VIEW**

Machine dimensions + 16 positions yarn creel.

**NOTE:**

The picture may show fittings and equipment that are supplied on demand and not.



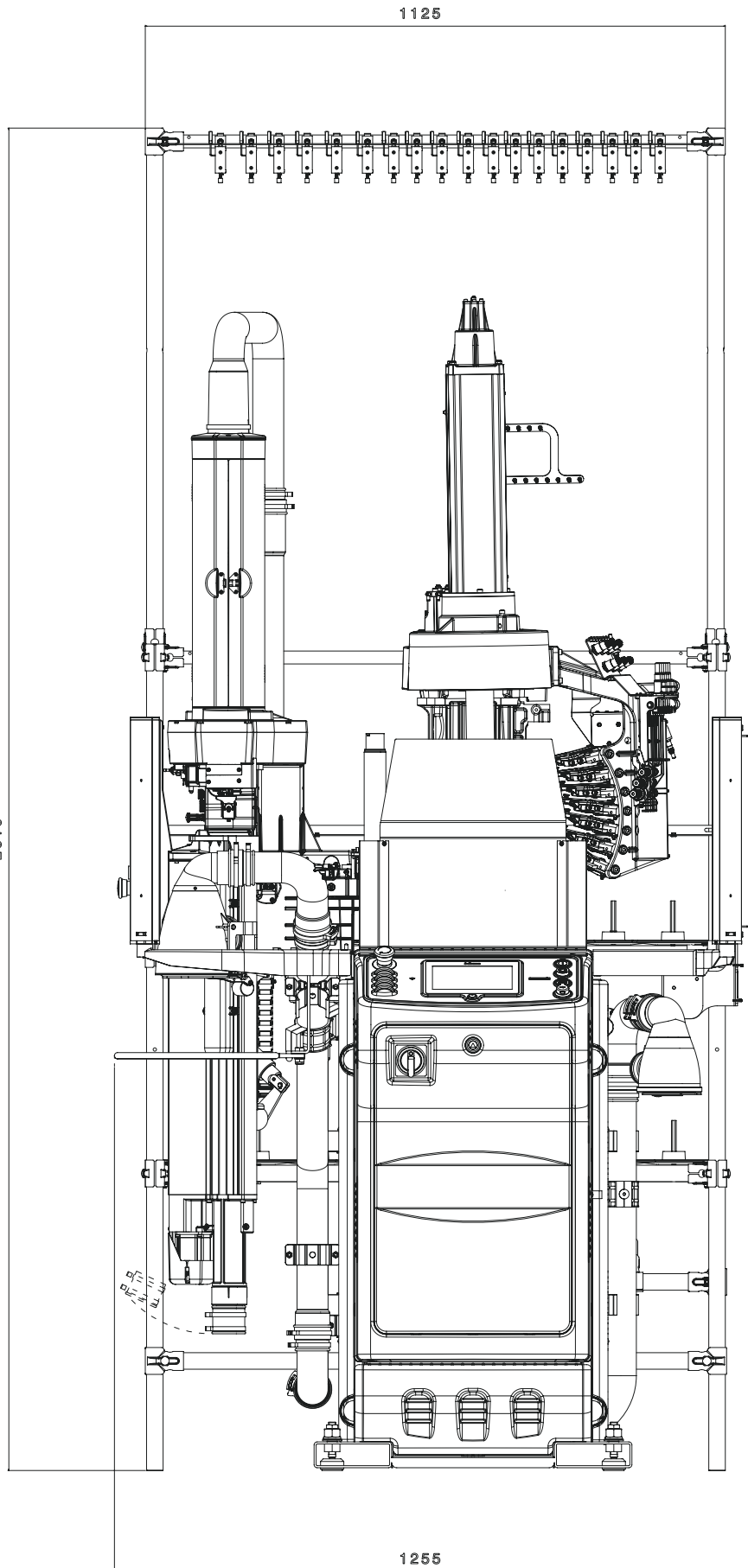


#### SIDE VIEW

Machine dimensions + 16 positions yarn creel.

#### NOTE:

The picture may show fittings and equipment that are supplied on demand and not.

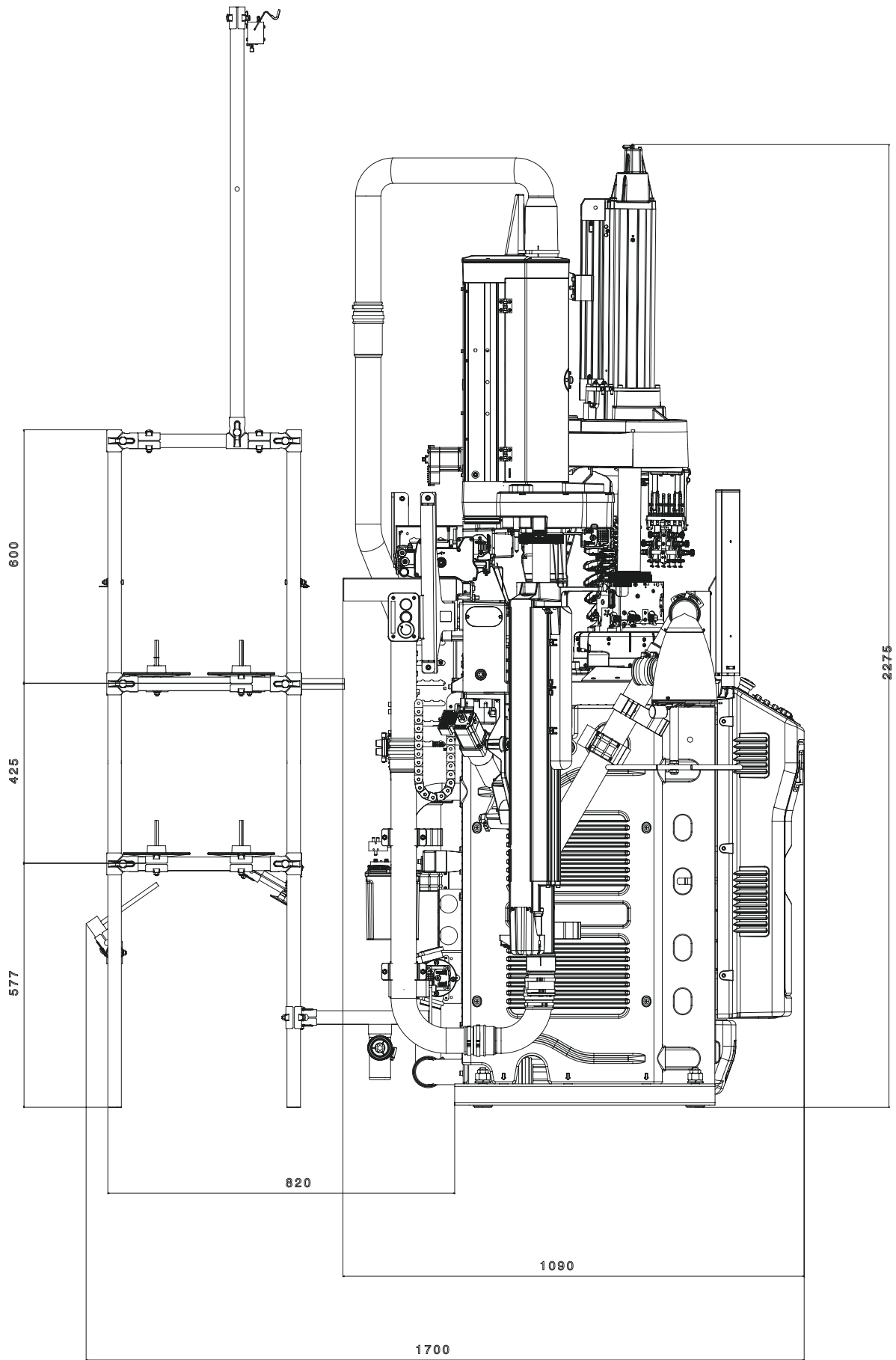


**FRONT VIEW**

Machine dimensions + 18 positions yarn creel.

**NOTE:**

The picture may show fittings and equipment that are supplied on demand and not.



### SIDE VIEW

Machine dimensions + 18 positions yarn creel.

### NOTE:

The picture may show fittings and equipment that are supplied on demand and not.

# NOTE

E133HX - E143HX - E153HX

# NOTE

E133HX - E143HX - E153HX







LONATI SPA  
Via Francesco Lonati, 3 | 25124 Brescia (Italy)  
Tel. +39 03023901 | Fax +39 030 2310024  
C.F.: 01469680175 | P.iva: 02096730961  
info@lonati.com - www.lonati.com